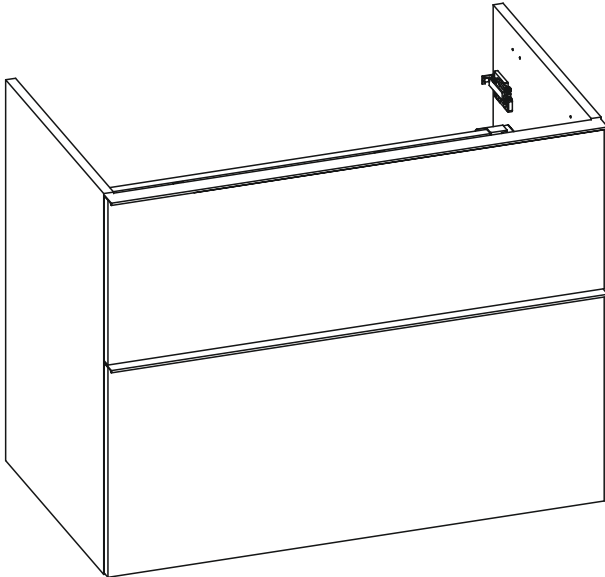
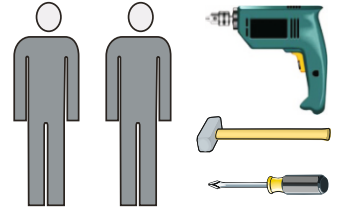

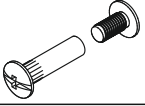


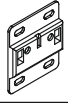



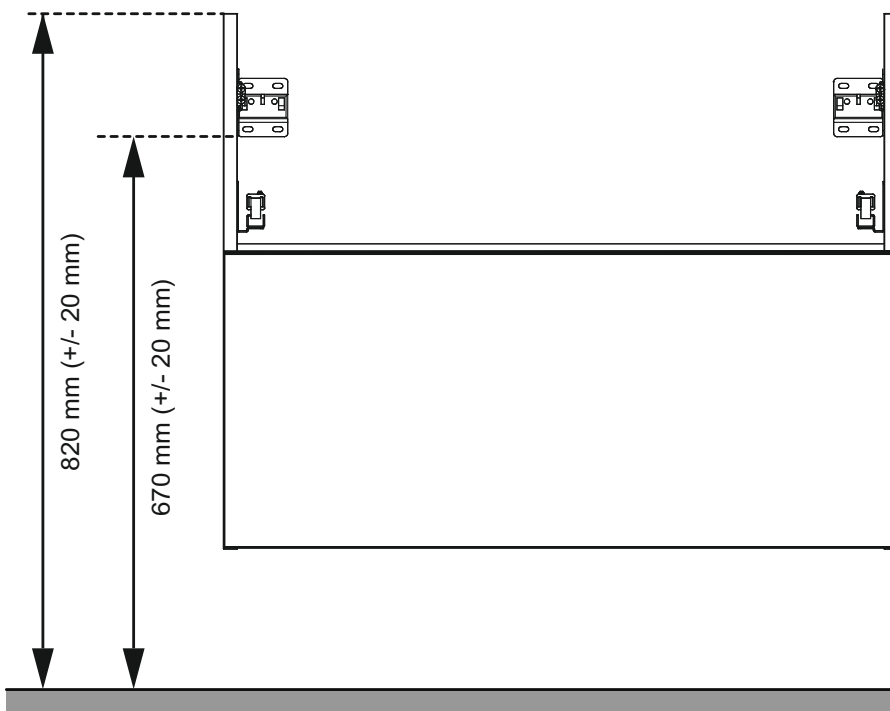
**60 2DR**  
**80 2DR**  
**100 2DR**



<b>R8</b>	<b>X</b>
	
x 4	x 1
<b>H</b>	<b>N5</b>
	
x 2	US3,5x16 x 6
	<b>P15</b>
	
	x 2

<b>H</b>

x 2

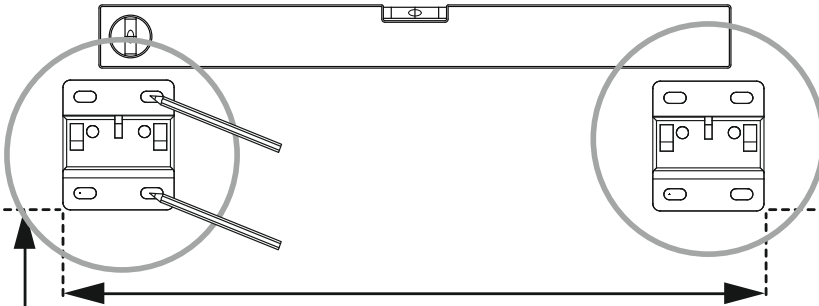
**01.**



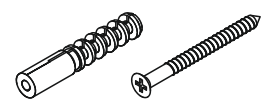
**x4**



02.

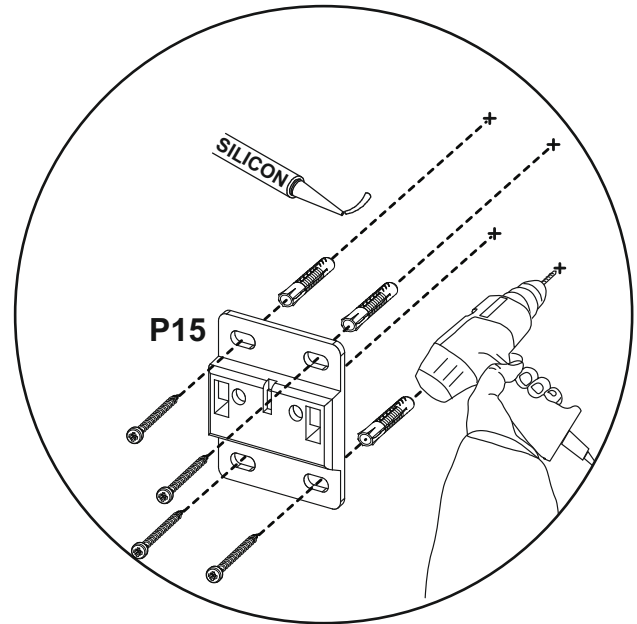
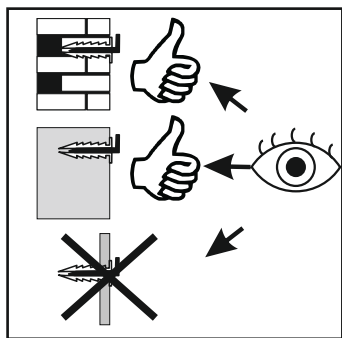


x8

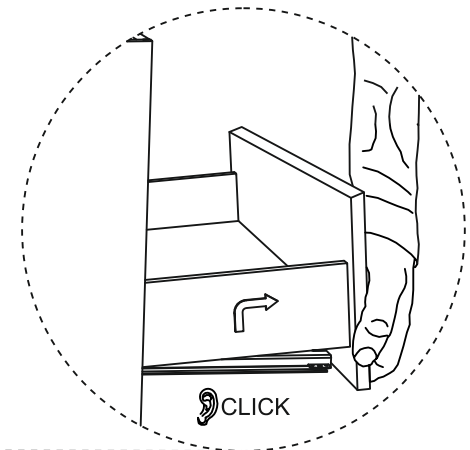
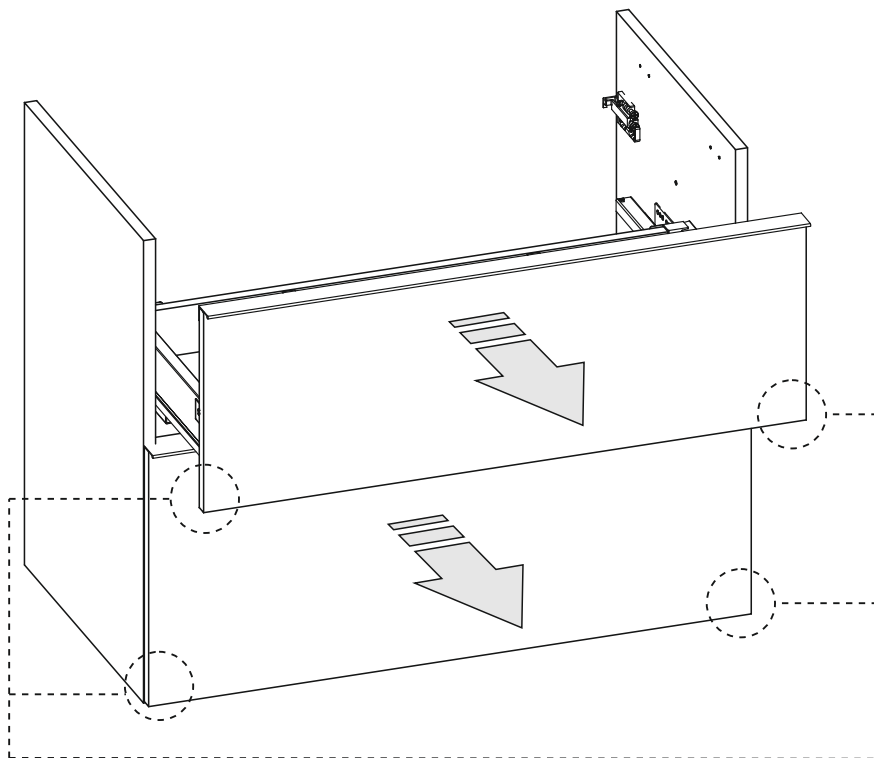


565 mm - 60 2DR  
765 mm - 80 2DR  
965 mm - 100 2DR

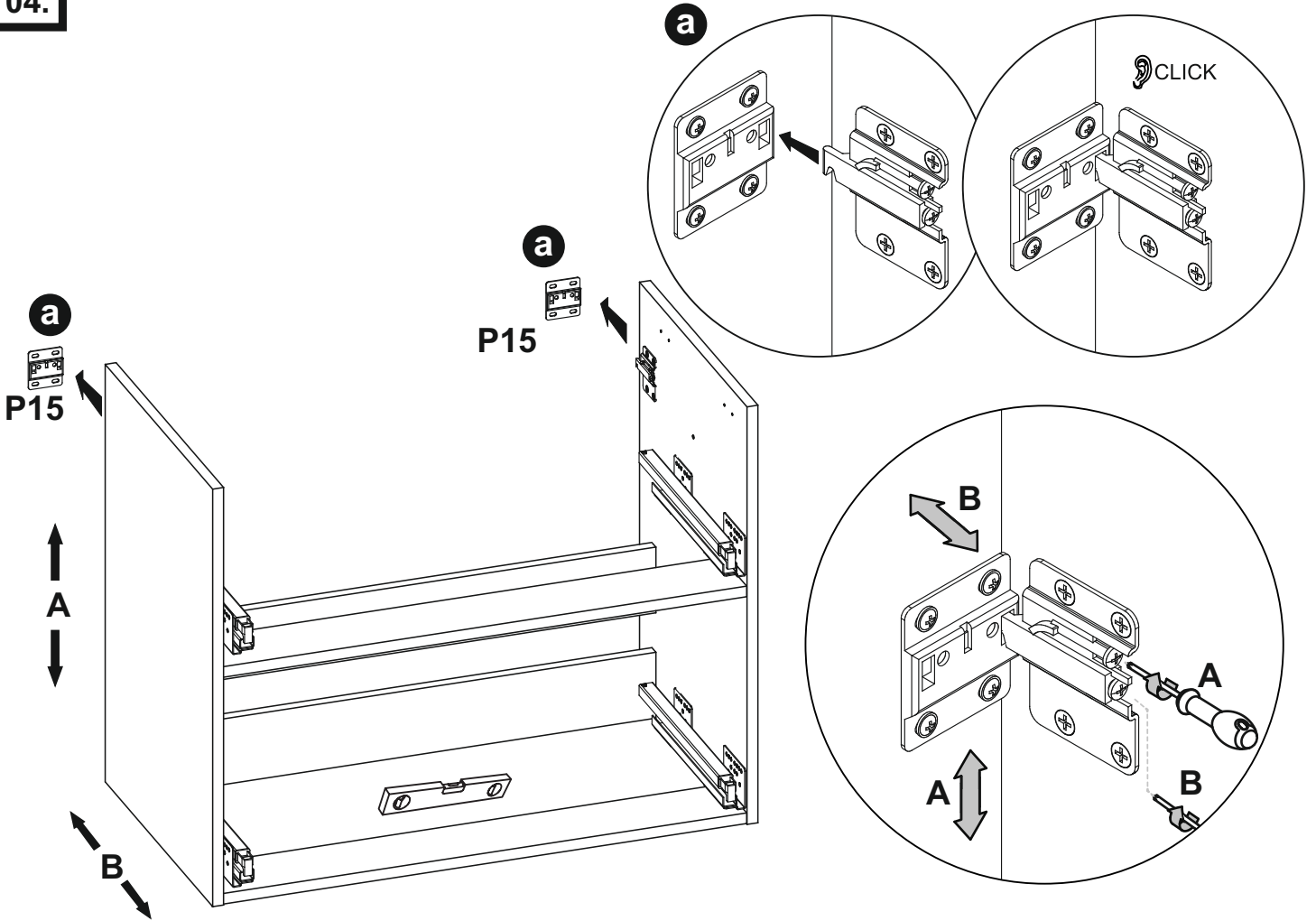
670 mm (+/- 20 mm)



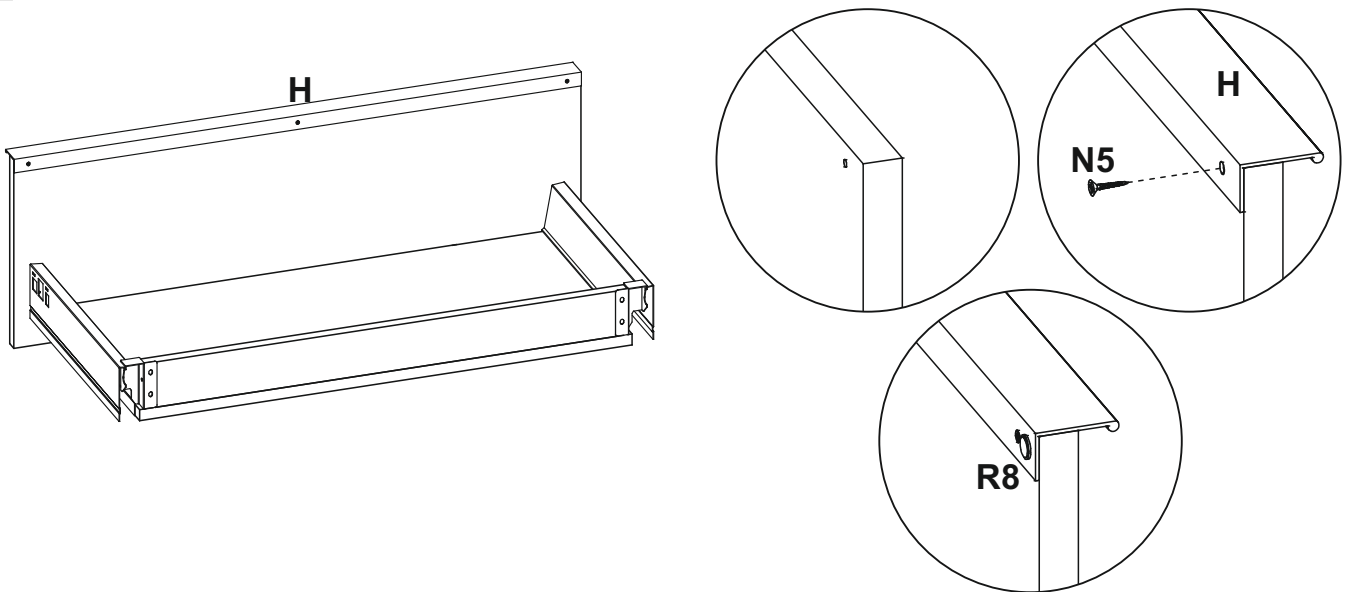
03.



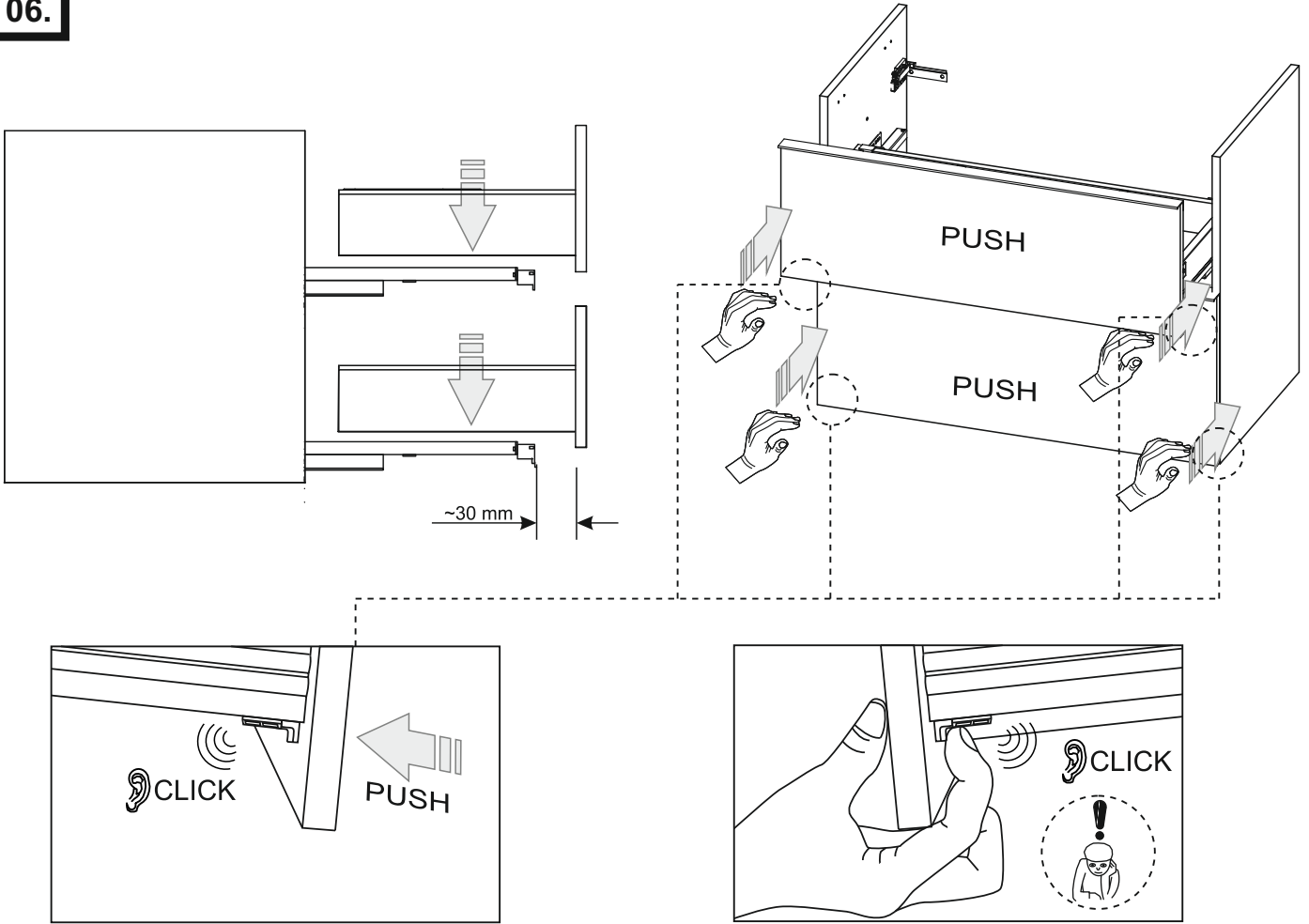
04.



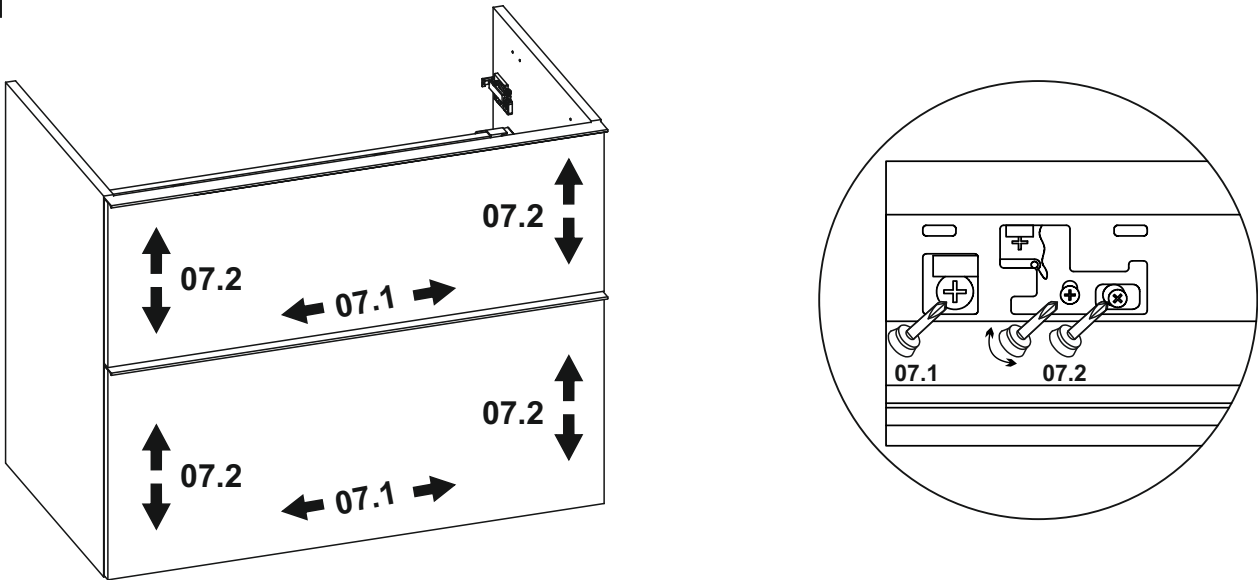
05.



06.



07.



08.

